

Enhance your living experience with

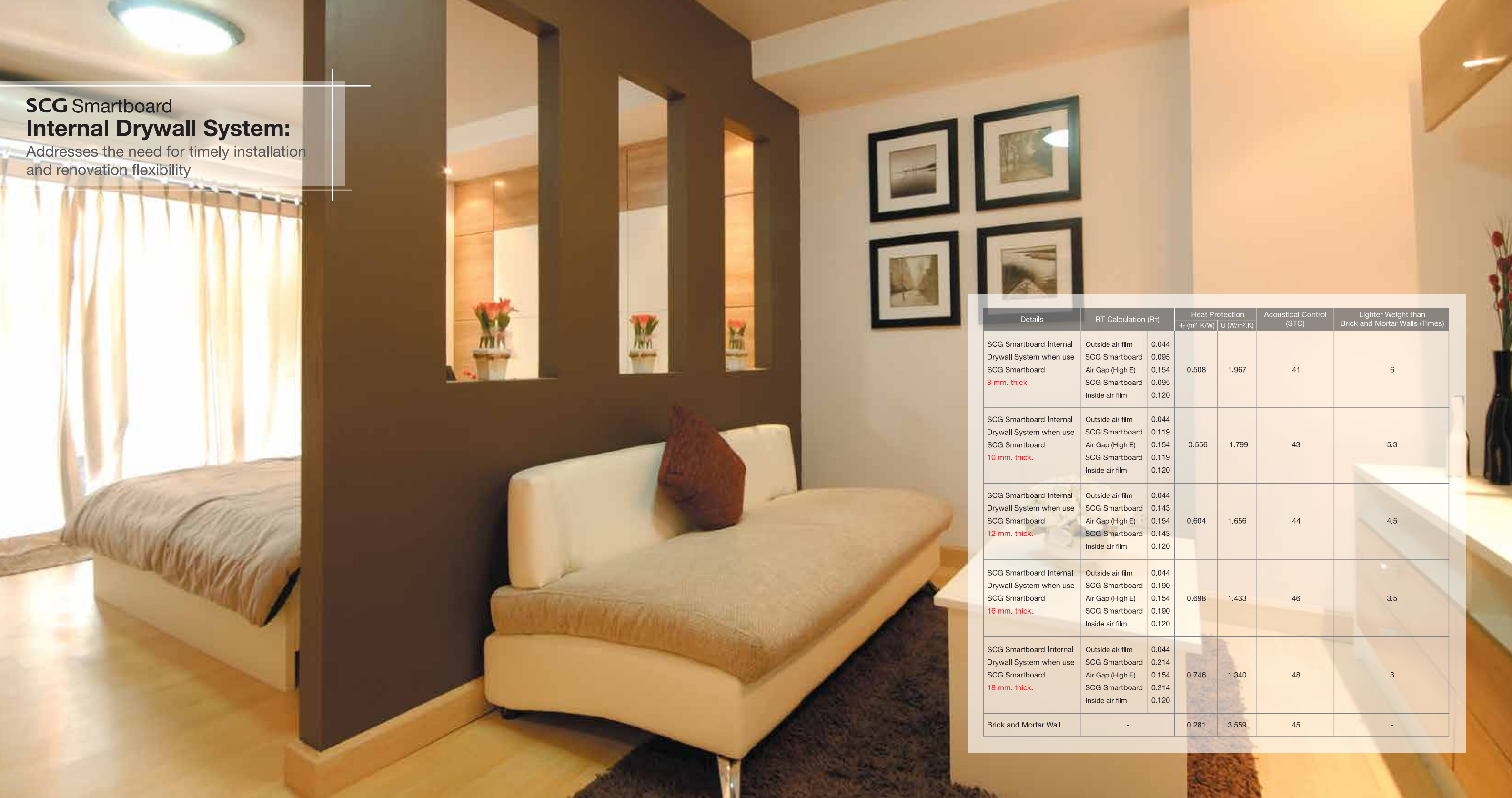
SCG Smartboard

Values beyond boards, fulfilling your living inspirations

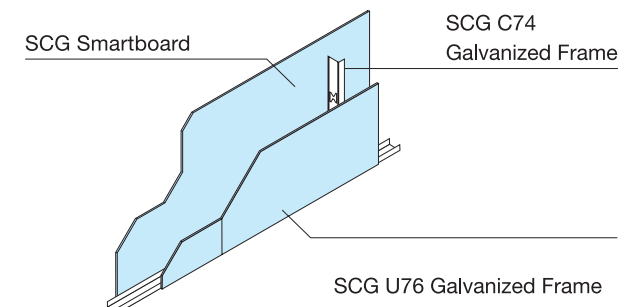
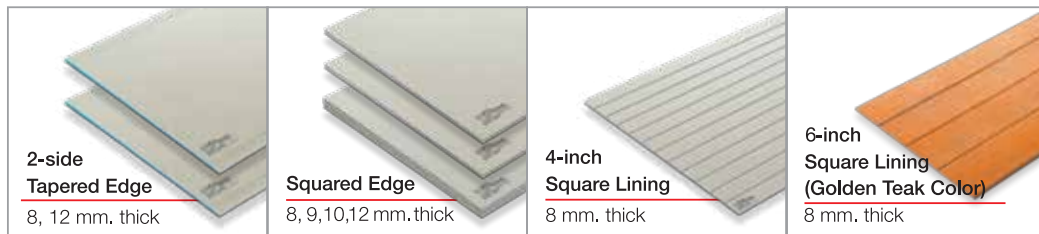


SCG Smartboard Internal Drywall System:

Addresses the need for timely installation and renovation flexibility



Details	RT Calculation (Rr)		Heat Protection		Acoustical Control (STC)	Lighter Weight than Brick and Mortar Walls (Times)
	Rr (m ² K/W)	U (W/m ² .K)	Rr (m ² K/W)	U (W/m ² .K)		
SCG Smartboard Internal Drywall System when use SCG Smartboard 8 mm. thick.	Outside air film	0.044	0.508	1.967	41	6
	SCG Smartboard	0.095				
	Air Gap (High E)	0.154				
	SCG Smartboard	0.095				
	Inside air film	0.120				
SCG Smartboard Internal Drywall System when use SCG Smartboard 10 mm. thick.	Outside air film	0.044	0.556	1.799	43	5.3
	SCG Smartboard	0.119				
	Air Gap (High E)	0.154				
	SCG Smartboard	0.119				
	Inside air film	0.120				
SCG Smartboard Internal Drywall System when use SCG Smartboard 12 mm. thick.	Outside air film	0.044	0.604	1.656	44	4.5
	SCG Smartboard	0.143				
	Air Gap (High E)	0.154				
	SCG Smartboard	0.143				
	Inside air film	0.120				
SCG Smartboard Internal Drywall System when use SCG Smartboard 16 mm. thick.	Outside air film	0.044	0.698	1.433	46	3.5
	SCG Smartboard	0.190				
	Air Gap (High E)	0.154				
	SCG Smartboard	0.190				
	Inside air film	0.120				
SCG Smartboard Internal Drywall System when use SCG Smartboard 18 mm. thick.	Outside air film	0.044	0.746	1.340	48	3
	SCG Smartboard	0.214				
	Air Gap (High E)	0.154				
	SCG Smartboard	0.214				
	Inside air film	0.120				
Brick and Mortar Wall	-	-	0.281	3.559	45	-



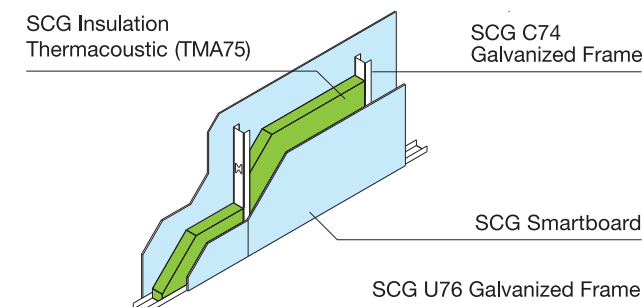
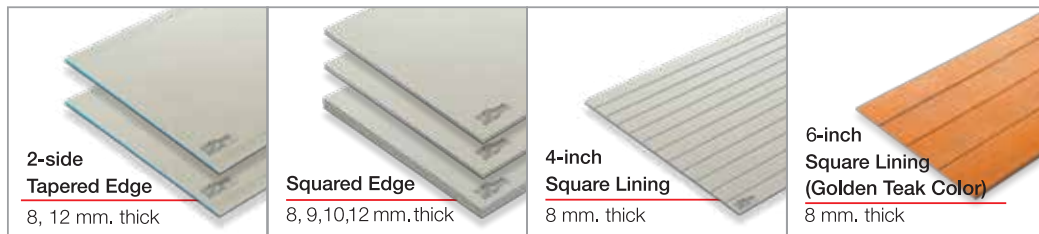
SCG Smartboard Drywall System is making traditional brick and mortar walls obsolete. It not only offers excellent durability and water resistance, thanks to the innovative quality of SCG Smartboard, but also timely installation and flexibility in terms of future modifications and refurbishment.

Its smoother finish provides aesthetically pleasing crack free surfaces perfect for painting. Hence, **SCG Smartboard Drywall System** is ideal for all wall applications, including wet area walls.

SCG Smartboard Heat Protection System :

Energy efficiency coupled with living comfort

Details	RT Calculation (Rr)		Heat Protection		Acoustical Control (STC)	Lighter Weight than Brick and Mortar Walls (Times)
			R _r (m ² K/W)	U (W/m ² ,K)		
SCG Smartboard Heat Protection System when use SCG Smartboard 8 mm. thick. Insert SCG Insulation Thermacoustic (TMA75) between the boards	Outside air film SCG Smartboard Thermacoustic (TMA75) SCG Smartboard Inside air film	0.044 0.095 2.143 0.095 0.120	2.497	0.400	49	5.8
SCG Smartboard Heat Protection System when use SCG Smartboard 10 mm. thick. Insert SCG Insulation Thermacoustic (TMA75) between the boards	Outside air film SCG Smartboard Thermacoustic (TMA75) SCG Smartboard Inside air film	0.044 0.119 2.143 0.119 0.120	2.545	0.393	52	5.1
SCG Smartboard Heat Protection System when use SCG Smartboard 12 mm. thick. Insert SCG Insulation Thermacoustic (TMA75) between the boards	Outside air film SCG Smartboard Thermacoustic (TMA75) SCG Smartboard Inside air film	0.044 0.143 2.143 0.143 0.120	2.593	0.386	53	4.4
SCG Smartboard Heat Protection System when use SCG Smartboard 16 mm. thick. Insert SCG Insulation Thermacoustic (TMA75) between the boards	Outside air film SCG Smartboard Thermacoustic (TMA75) SCG Smartboard Inside air film	0.044 0.190 2.143 0.190 0.120	2.687	0.372	54	3.4
SCG Smartboard Heat Protection System when use SCG Smartboard 18 mm. thick. Insert SCG Insulation Thermacoustic (TMA75) between the boards	Outside air film SCG Smartboard Thermacoustic (TMA75) SCG Smartboard Inside air film	0.044 0.214 2.143 0.214 0.120	2.735	0.366	53	3
Brick and Mortar Wall	-	-	0.281	3.559	45	-



One of the many new trends about homes is sustainability. Developers and homeowners are trying to find the right solution that would improve energy efficiency while providing comfort for the householders.

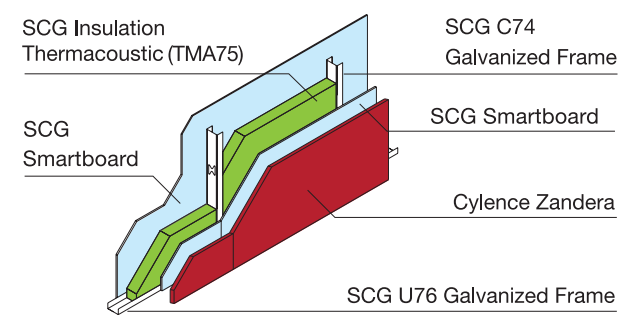
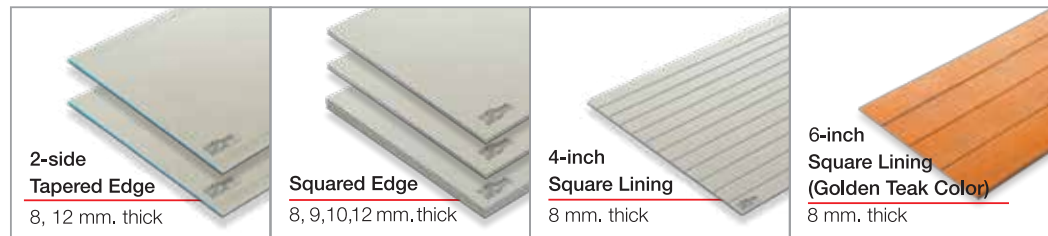
By containing thermal insulation, **SCG Smartboard Heat Protection System** effectively keeps buildings properly insulated. It is the right wall solution that constantly keeps interior temperatures at a comfortable level, thereby delivering a new level of living comfort and allowing homeowners to save on energy bills.



SCG Smartboard Acoustical Control System:

Effective sound control that enhances living experience

Details	RT Calculation (R _T)	Heat Protection		Acoustical Control (STC)	Lighter Weight than Brick and Mortar Walls (Times)	
		R _T (m ² K/W)	U (W/m ² .K)			
SCG Smartboard Acoustic Control System when use SCG Smartboard 8 mm. thick. Insert SCG Insulation Thermacoustic (TMA75) between the boards	Outside air film SCG Smartboard Thermacoustic (TMA75) SCG Smartboard Inside air film	0.044 0.095 2.143 0.095 0.120	2.497	0.400	49	5.8
SCG Smartboard Acoustic Control System when use SCG Smartboard 10 mm. thick. Insert SCG Insulation Thermacoustic (TMA75) between the boards	Outside air film SCG Smartboard Thermacoustic (TMA75) SCG Smartboard Inside air film	0.044 0.119 2.143 0.119 0.120	2.545	0.393	52	5.1
SCG Smartboard Acoustic Control System when use SCG Smartboard 12 mm. thick. Insert SCG Insulation Thermacoustic (TMA75) between the boards	Outside air film SCG Smartboard Thermacoustic (TMA75) SCG Smartboard Inside air film	0.044 0.143 2.143 0.143 0.120	2.593	0.386	53	4.4
SCG Smartboard Acoustic Control System when use SCG Smartboard 16 mm. thick. Insert SCG Insulation Thermacoustic (TMA75) between the boards	Outside air film SCG Smartboard Thermacoustic (TMA75) SCG Smartboard Inside air film	0.044 0.190 2.143 0.190 0.120	2.687	0.372	54	3.4
SCG Smartboard Acoustic Control System when use SCG Smartboard 18 mm. thick. Insert SCG Insulation Thermacoustic (TMA75) between the boards	Outside air film SCG Smartboard Thermacoustic (TMA75) SCG Smartboard Inside air film	0.044 0.214 2.143 0.214 0.120	2.735	0.366	53	3
Brick and Mortar Wall	-	-	0.281	3.559	45	-



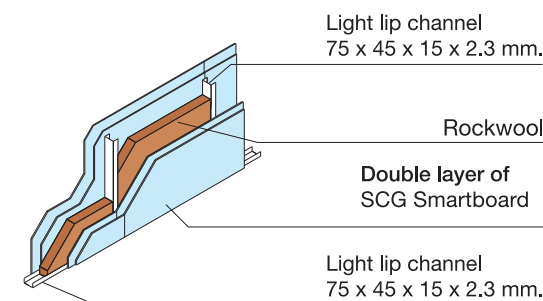
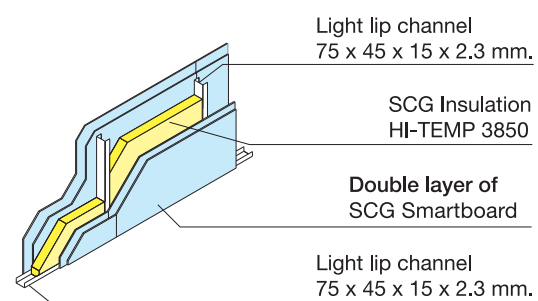
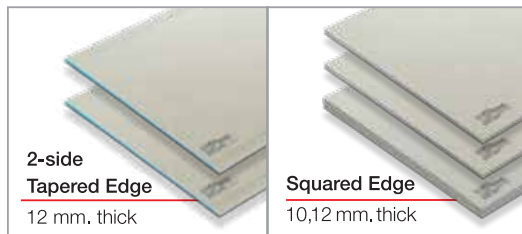
Undoubtedly, privacy is one of the most vital elements when designing a living space. **SCG Smartboard Acoustical Control System** maximizes the enjoyment of your living space by properly preventing sound migration from one room to another.

It enables homeowners to be able to design their own living space. Whether it is to appreciate a quiet environment or to effectively learn, work or enjoy the enhanced sound quality of media entertainment, **SCG Smartboard Acoustical Control System** allows you to accomplish either.

SCG Smartboard Fire Protection System :

Provides peace-of-mind protection for your investment

Details	Heat Protection		Acoustical Control (STC)	Fire Rating (Minutes)	Lighter Weight than Brick and Mortar Walls (Times)	
	R _T (m ² K/W)	U (W/m ² .K)				
SCG Smartboard Fire Protection System when use double layer of SCG Smartboard 10 mm. thick.	With Rockwool:	2.111	0.474	61	102	2
SCG Smartboard Fire Protection System when use double layer of SCG Smartboard 12 mm. thick.	With HI-TEMP 3850:	2.251	0.444	61	105	2.25
	With Rockwool:	2.206	0.453	61	150	2.25
Brick and Mortar Wall	-	0.281	3.558	45	240	-

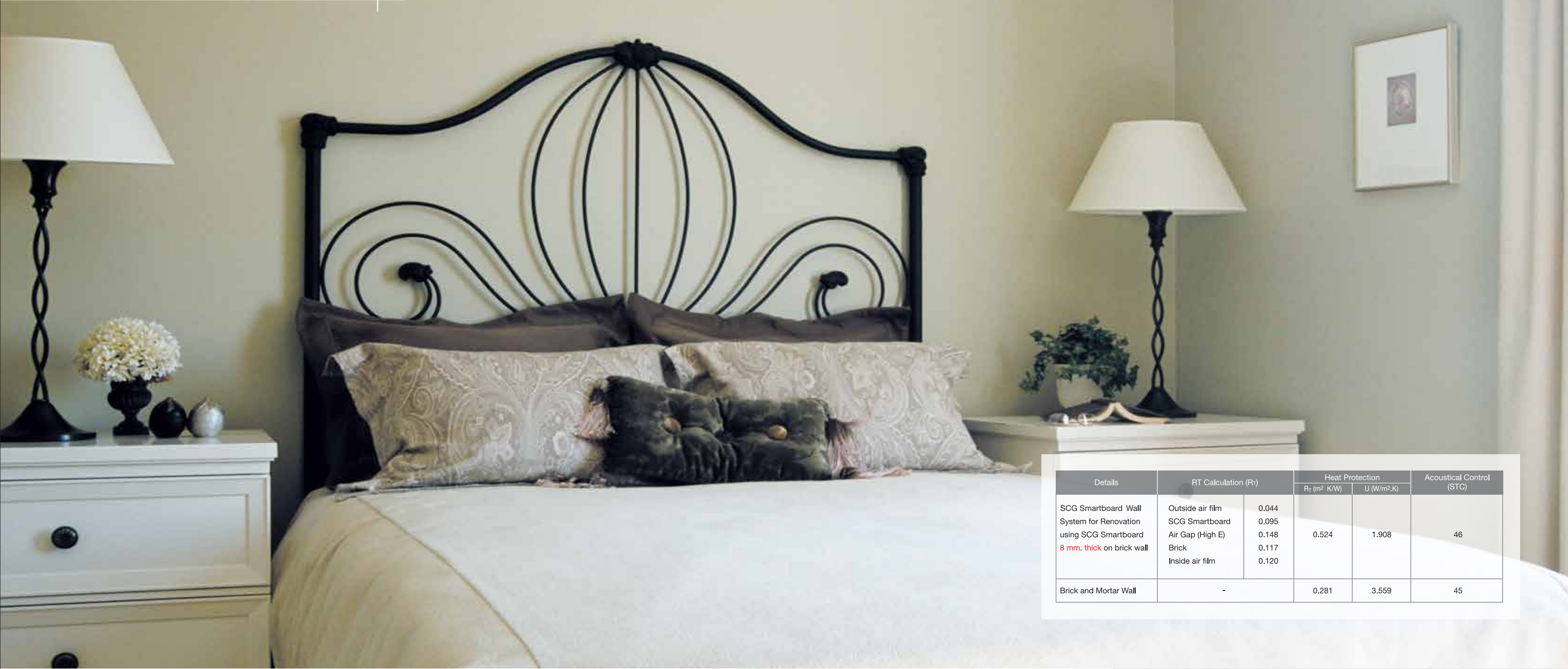


Fire protection is one of the most essential parts of many projects.

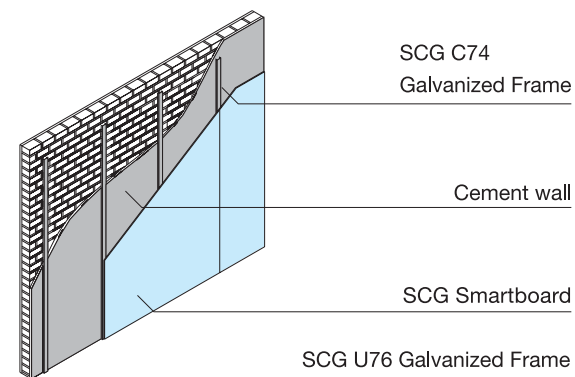
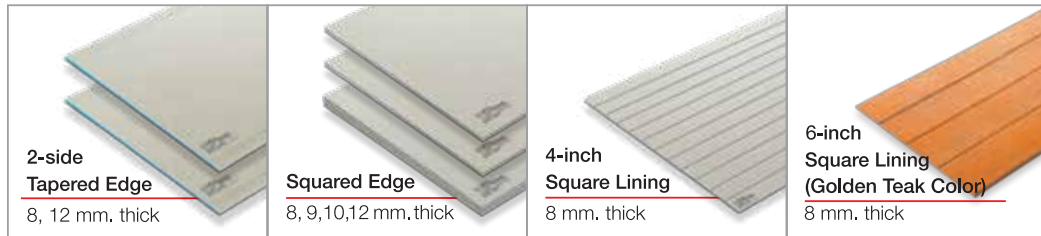
SCG Smartboard Fire Protection System ensures that your building satisfies fire resistance requirements and provides peace-of-mind and safety. **SCG Smartboard Fire Protection System** contains SCG Insulation HI-TEMP 3850 that ensures up to 105 minutes of fire resistance while **SCG Smartboard Fire Protection System** containing Rockwool provides up to 150 minutes of fire-resistance.

This makes **SCG Smartboard Fire Protection System** a smart solution for peace-of-mind and safety.

SCG Smartboard
Wall System for Renovation :
 Make traditional cement walls look like new



Details	RT Calculation (Rt)		Heat Protection		Acoustical Control (STC)
			R _T (m ² K/W)	U (W/m ² .K)	
SCG Smartboard Wall System for Renovation using SCG Smartboard 8 mm. thick on brick wall	Outside air film	0.044	0.524	1.908	46
	SCG Smartboard	0.095			
	Air Gap (High E)	0.148			
	Brick	0.117			
	Inside air film	0.120			
Brick and Mortar Wall	-	0.281	3.559	45	



Many homeowners are looking for ways to conveniently renovate their homes. Did you know that simple changes to your walls can make a big improvement to how your home feels and looks?

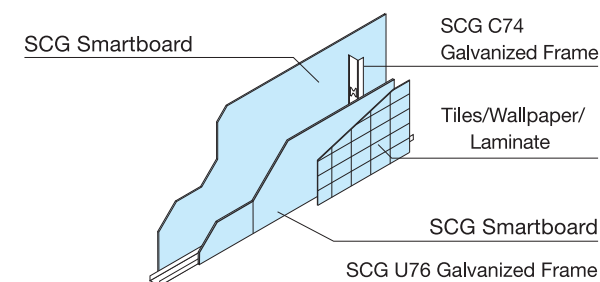
Simply install **SCG Smartboard Wall System** on existing cement walls and you are able to transform your living space.

SCG Smartboard Drywall System for Decoration :

Get creative and fulfill your living inspiration with wall decoration

Details	RT Calculation (R _T)		Heat Protection		Acoustical Control (STC)
	R _T (m ² K/W)	U (W/m ² .K)	R _T (m ² K/W)	U (W/m ² .K)	
SCG Smartboard Drywall System for Decoration when use SCG Smartboard 10 mm. thick and decorate with ceramic tiles on one side	In side air film	0.120	0.555	1.802	46
	SCG Smartboard	0.119			
	Air Gap (High E)	0.154			
	SCG Smartboard	0.119			
	Ceramic Tile	0.031			
Inside air film	0.120				
SCG Smartboard Drywall System for Decoration when use SCG Smartboard 12 mm. thick and decorate with ceramic tiles on one side	In side air film	0.120	0.603	1.658	48
	SCG Smartboard	0.143			
	Air Gap (High E)	0.154			
	SCG Smartboard	0.143			
	Ceramic Tile	0.031			
Inside air film	0.120				
SCG Smartboard Drywall System for Decoration when use SCG Smartboard 16 mm. thick and decorate with ceramic tiles on one side	In side air film	0.120	0.697	1.435	50
	SCG Smartboard	0.190			
	Air Gap (High E)	0.154			
	SCG Smartboard	0.190			
	Ceramic Tile	0.031			
Inside air film	0.120				
SCG Smartboard Drywall System for Decoration when use SCG Smartboard 18 mm. thick and decorate with ceramic tiles on one side	In side air film	0.120	0.745	1.342	50
	SCG Smartboard	0.214			
	Air Gap (High E)	0.154			
	SCG Smartboard	0.214			
	Ceramic Tile	0.031			
Inside air film	0.120				
Brick and Mortar Wall	-	-	0.281	3.558	45

The calculation uses ceramic tiles 5 mm. thick



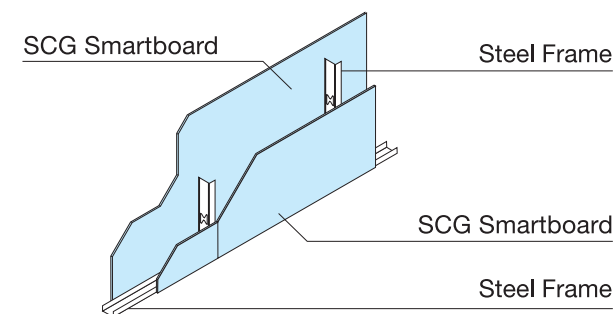
Why limit your living inspirations to plain walls?

SCG Smartboard Drywall System is perfect for creative wall decoration. You can give your building or living space a sense of character by decorating your **SCG Smartboard Drywall System** with ceramic tiles, wallpaper or laminate in whatever ways best reflecting your unique tastes and lifestyle.

SCG Smartboard External Drywall System

Offers unique advanced performance along with aesthetic sense

Details	RT Calculation (R _T)	Heat Protection		Acoustical Control (STC)	Lighter Weight than Brick and Mortar Wall (Times)
		R _T (m ² K/W)	U (W/m ² .K)		
SCG Smartboard External Drywall System when use SCG Smartboard 8 mm. thick.	Outside air film 0.044 SCG Smartboard 0.095 Air Gap (High E) 0.154 SCG Smartboard 0.095 Inside air film 0.120	0.508	1.967	41	6
SCG Smartboard External Drywall System when use SCG Smartboard 10 mm. thick.	Outside air film 0.044 SCG Smartboard 0.119 Air Gap (High E) 0.154 SCG Smartboard 0.119 Inside air film 0.120	0.556	1.799	43	5.3
SCG Smartboard External Drywall System when use SCG Smartboard 12 mm. thick.	Outside air film 0.044 SCG Smartboard 0.143 Air Gap (High E) 0.154 SCG Smartboard 0.143 Inside air film 0.120	0.604	1.656	44	4.5
SCG Smartboard External Drywall System when use SCG Smartboard 16 mm. thick.	Outside air film 0.044 SCG Smartboard 0.190 Air Gap (High E) 0.154 SCG Smartboard 0.190 Inside air film 0.120	0.698	1.433	46	3.5
SCG Smartboard External Drywall System when use SCG Smartboard 18 mm. thick.	Outside air film 0.044 SCG Smartboard 0.214 Air Gap (High E) 0.154 SCG Smartboard 0.214 Inside air film 0.120	0.746	1.340	48	3
Brick and Mortar Wall	-	0.281	3.559	45	-

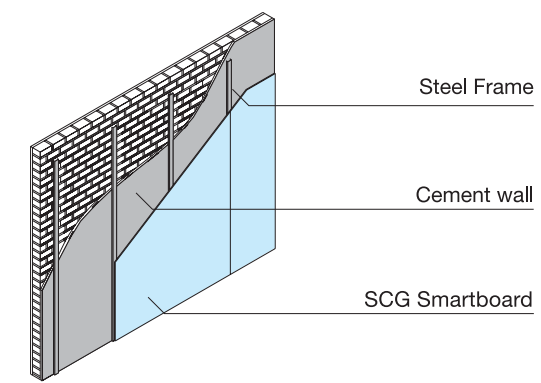


SCG Smartboard Drywall System delivers advanced performance for external wall. Manufactured from high quality SCG Portland Cement, **SCG Smartboard Drywall System** is highly durable and easy to maintain, thus a perfect solution to avoid defects in brick work.

It offers substantial savings on time and ease of installation, and allows homeowners to add aesthetic sense and style to their exterior walls.

SCG Smartboard Wall Cladding System

Details	RT Calculation (R _T)		Heat Protection		Acoustical Control (STC)	
			R _T (m ² K/W)	U (W/m ² .K)		
SCG Smartboard Wall Cladding System when use SCG Smartboard 8 mm. thick cladding on brick wall	Outside air film	0.044	0.524	1.908	46	Low-rise buildings
	SCG Smartboard	0.095				
	Air Gap (High E)	0.148				
	Brick wall	0.117				
	Inside air film	0.120				
SCG Smartboard Wall Cladding System when use SCG Smartboard 10 mm. thick cladding on brick wall	Outside air film	0.044	0.548	1.825	46	High-rise buildings
	SCG Smartboard	0.119				
	Air Gap (High E)	0.148				
	Brick wall	0.117				
	Inside air film	0.120				
SCG Smartboard Wall Cladding System when use SCG Smartboard 12 mm. thick cladding on brick wall	Outside air film	0.044	0.572	1.748	47	High-rise buildings
	SCG Smartboard	0.143				
	Air Gap (High E)	0.148				
	Brick wall	0.117				
	Inside air film	0.120				
SCG Smartboard Wall Cladding System when use SCG Smartboard 16 mm. thick cladding on brick wall	Outside air film	0.044	0.619	1.616	47	High-rise buildings
	SCG Smartboard	0.190				
	Air Gap (High E)	0.148				
	Brick wall	0.117				
	Inside air film	0.120				
SCG Smartboard Wall Cladding System when use SCG Smartboard 18 mm. thick cladding on brick wall	Outside air film	0.044	0.643	1.555	47	High-rise buildings
	SCG Smartboard	0.214				
	Air Gap (High E)	0.148				
	Brick wall	0.117				
	Inside air film	0.120				
Brick and Mortar Wall	-	-	0.281	0.281	45	

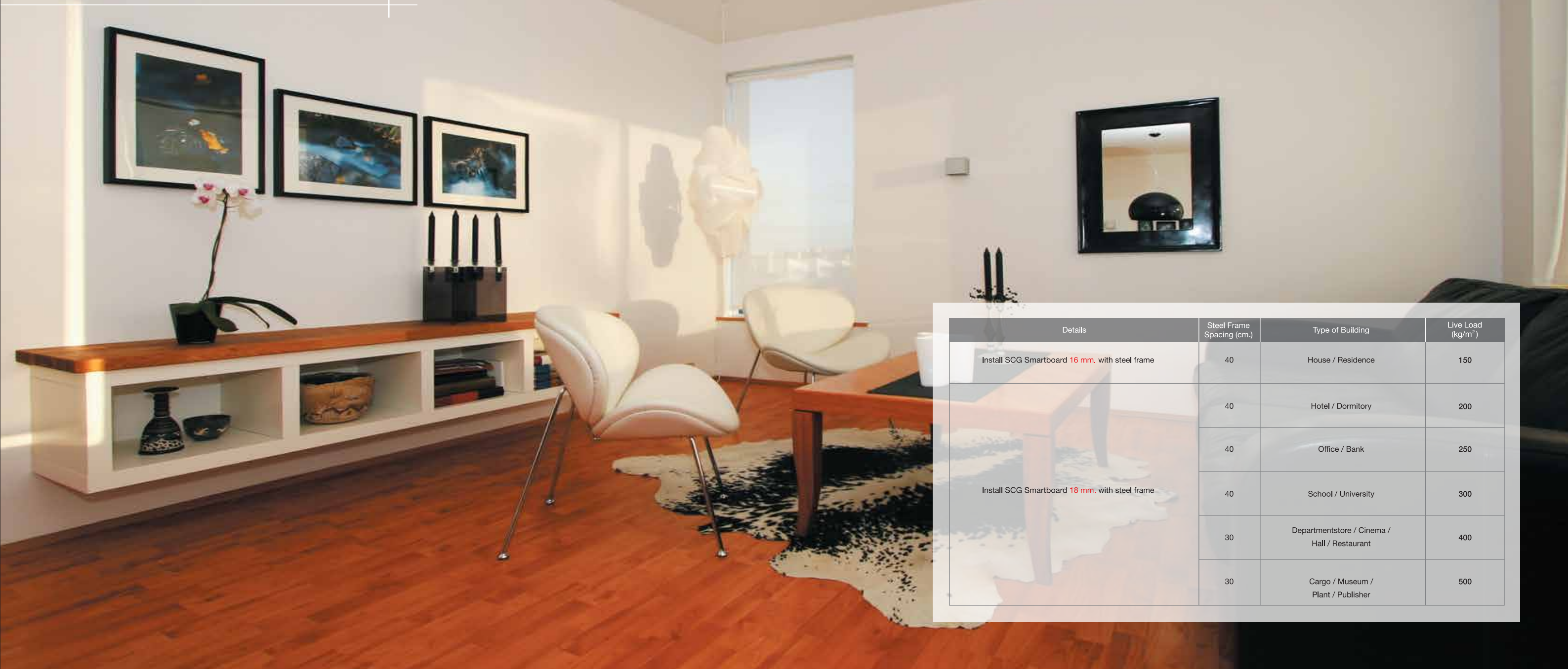


Siding is a great way to improve the appearance of your buildings. **SCG Smartboard Wall Cladding System** offers a convenient way to renovate your buildings with new siding.

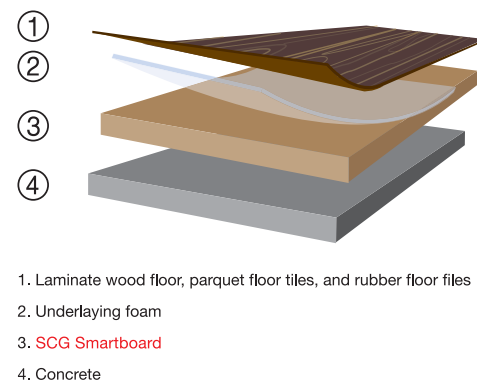
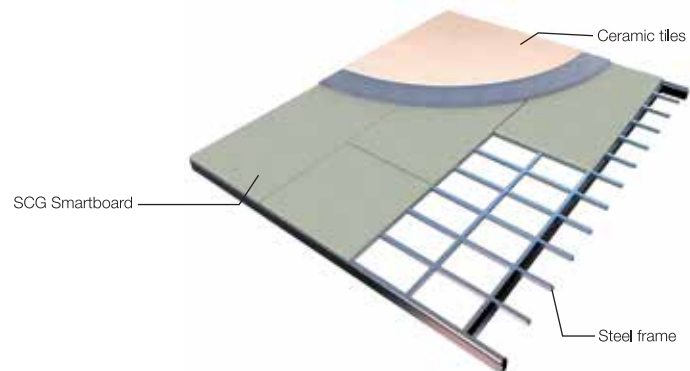
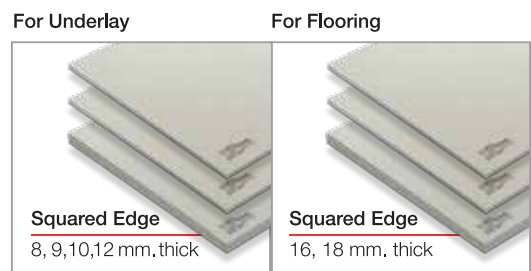
The new look also comes with a reduction in building temperature as **SCG Smartboard Wall Cladding System** comes with 20 mm. air gap which allows air circulation. Engineered for exterior applications, **SCG Smartboard Wall Cladding System** is tough, durable, and water resistant.

SCG Smartboard Floor System

Perfect alternative to plywood and cement floor



Details	Steel Frame Spacing (cm.)	Type of Building	Live Load (kg/m ²)
Install SCG Smartboard 16 mm. with steel frame	40	House / Residence	150
	40	Hotel / Dormitory	200
	40	Office / Bank	250
Install SCG Smartboard 18 mm. with steel frame	40	School / University	300
	30	Departmentstore / Cinema / Hall / Restaurant	400
	30	Cargo / Museum / Plant / Publisher	500



SCG Smartboard Floor System is easy to work with and capable of withstanding up to 500 kg/SQM making it perfect for construction and renovation works that need speediness and high impact strengths.

When used as floor underlay, laminate wood floor, parquet floor tiles, and ceramic tiles are installed over **SCG Smartboard Floor System**, providing a perfect alternative to plywood and concrete floor.

Space Lining Internal Wall Installation

Installation Instruction

1

Determine the alignment of wall on the floor and ceiling board.

2

Install SCG Smartboard C 74 galvanize frame into SCG Smartboard U 76 galvanize frame by insert and twist to be perpendicular to SCG Smartboard U 76 galvanize frame, in 60 cm. spacing.

3

Fix SCG Smartboard C 74 galvanize frame to SCG Smartboard U 76 galvanize frame by SCG self drilling point screw 10 mm.

7

Fix SCG Smartboard to the frame by using SCG needle point screw 23 mm. with 20 cm. spacing, and at 1.2 cm. edge distance, with 5 cm. distance from the panel's corner.

8

Leave space of gap for 0.8 cm. (equal to board's thickness).

9

Cover the screw head by SCG Smartboard plaster joint compound for the joint properly.

* Remark : In case that SCG Smartboard with 6-inch square lining wood grain (Golden Teak Color) is used as real wall, the frame should be installed in every joint along the length of panel in order to allow sealing of the joint by SCG Smartboard polyurethane joint sealant.

** Remark : Leave 61 cm. space when use SCG Smartboard size 1220x2440 mm.

Concealed Wall Installation

Installation Instruction

The set-up step is the same as The Space Lining Internal wall Installation.

1

Set up SCG Smartboard U 76 galvanize frame on the floor and the ceiling with 60 cm. concrete hook and after that set up SCG Smartboard C 74 galvanize frame as 60 cm. apart from each other.

2

Attach SCG Smartboard tapered edge with SCG Needle Point Screw 23 mm. as 20 cm. apart from each other (as the picture).

** Remark : Leave 61 cm. space when use SCG Smartboard size 1220x2440 mm.

Frame and accessories

- Frame : SCG Smartboard C 74, U 76 galvanize frame.
- Fixing Tool : SCG needle point screw 23 mm.
- Sealant Material : SCG Smartboard polyurethane joint sealant.
- SCG Smartboard : Squared Edge 8 mm. thick, 3 size 1200 x 2400 mm., 1220 x 2440 mm., 1200 x 2800 mm.
4-inch Square Lining 8 mm. thick, size 1200 x 2800 mm.
6-inch Square Lining Wood Grain (Golden Teak Color) 6, 8 mm. thick, size 600 x 3000 mm.

4

In case that general light-weight frame is used, another pair frames shall be used to support the joint between SCG Smartboard.

5

For SCG Smartboard Heat Protection System, SCG Smartboard Acoustic Control System, and SCG Smartboard Fire Protection System, insert SCG Insulation as shown in the picture

6

In case that the wall height is higher than 240 or 280 cm. SCG Smartboard U 76 galvanize frame shall be used to support on upper horizontal line at the panel level (240 - 280 cm.) as for supporting the panel jointing.

10

Use the tape to cover the joint prior sealing the joint by SCG Smartboard polyurethane joint sealant, then peel the tape off, and left it dry.

11

Coat the prime coat for original cement for 1 layer, and cover again by Acrylic Paint for at least 2 layers.

- Frame : SCG Smartboard C 74, U 76 galvanize frame.
- Fixing Tool : SCG needle point screw 23 mm., SCG needle point screw 10 mm.
- Sealant Material : SCG Smartboard plaster joint compound, Sandpaper no. 3
: 2-side Tapered Edge 8 mm. thick, size 1200 x 2800 mm.

Concealed Instruction

Step of concealed wall installation is the same as The Concealed Ceiling Installation

Light weight wall frame

SCG Smartboard Tapered Edge

SCG needle point screw 23 mm.

Tape 3,5 cm. width

- ① Apply the primer color
- ② Plaster the first layer with 15 cm. width
- ③ Plaster the second layer with 20 cm. width
- ④ Plaster the third layer with 28 cm. width
- ⑤ Scrub with sandpaper no. 3
- ⑥ Apply the primer color cover all over the board before painting with acrylic color

Suggestion

Concealed wall : advised only interior and dry area only.

Space Lining External Wall Installation

1 Fix studs to structural element no more than 60 cm. apart when use SCG Smartboard size 1200x2400 mm. and 61 cm. when use SCG Smartboard size 1220x2400 mm.

2 Attach SCG Reflective Insulation or moisture impermeable membrane.

3 Fixing SCG Smartboard 8-12 mm. thick by SCG self drilling wing screw 32 mm, 20 cm. apart from each other and 1.2 cm. apart from edge of board. Fixing SCG Smartboard 16 mm. thick by Self Drilling Screw 45 mm.

4 Leave the space between board 0.8 - 1.6 cm.

5 Cover the space with tape before applying SCG Smartboard polyurethane joint sealant, take tape off, leave it dry.

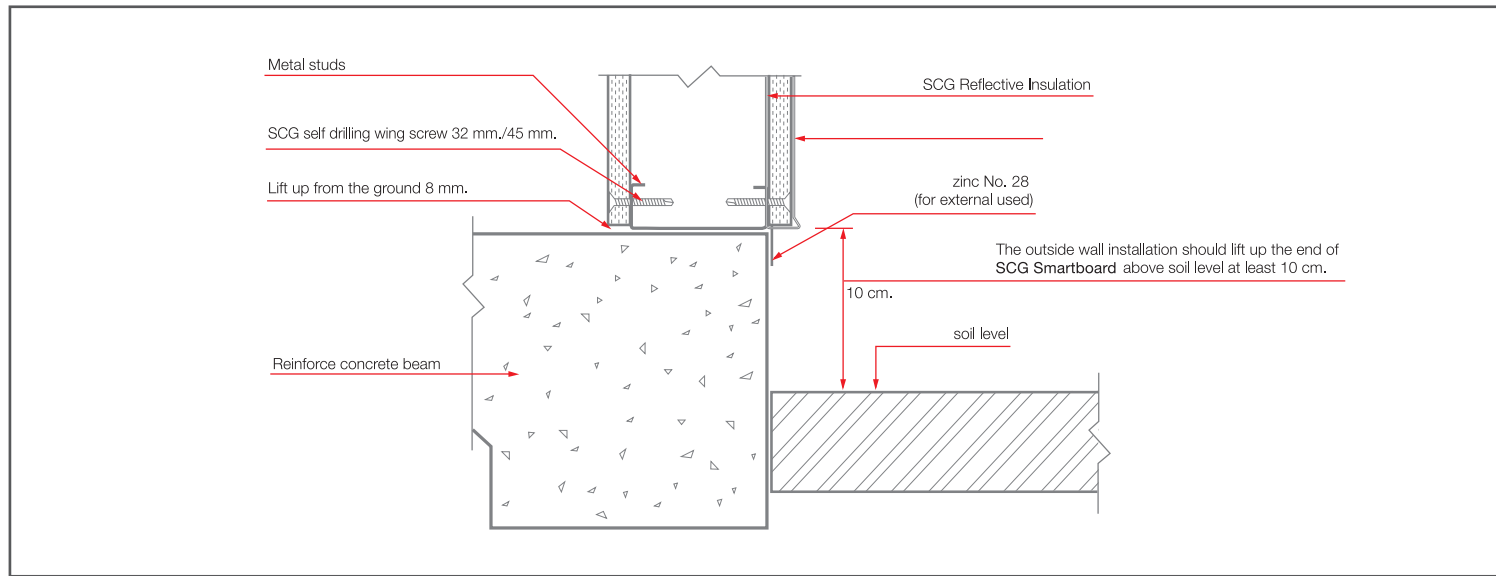
6 Fix SCG cement corner by butterfly-wing plastic hook, 37 mm. and SCG needle point screw 38 mm. to external corner.

7 For internal corner, leave the space between board and apply SCG Smartboard polyurethane joint sealant to the space, leave it dry.

8 Paint old cement primer before covering with Acrylic for external painting two layers at least.

Remark : For SCG Smartboard 16 mm thick fixing by Self Drilling Screw 45 mm.

Detail for Installation



Suggestion

For external wall installation, should consider about wind and other forces.

Height of Building (m.)	Spacing Frame for SCG Smartboard (cm.)		
	The thickness of SCG Smartboard		
	8 mm.	10 mm.	12 mm.
Less than 10	40	60	70
10 - 20	Not Recommend	40	50
20 - 30	Not Recommend	Not Recommend	40
More than 30	Not Recommend	Not Recommend	Not Recommend

Remark : Length between and the thickness of SCG Smartboard , follow the engineer who design the building.

Floor Installation

1 Check the level of steel frame.
Maximum frame spacing: for board size 1200x2400 mm. a = 120 cm. : b = 40 cm.
for board size 1220x2440 mm. a = 122 cm. : b = 40.66 cm.

2 Place SCG Smartboard 16, 18 mm. thick on steel frame and fixed by Self Drilling Wing Screw 45 mm., with maximum 40 cm. spacing, and 1.2 cm. distance from the edge.

3 Clean the jointing area by using a hard brush.

4 Mix SCG Gumcrete with the recommended ratio.

5 Bring mixed SCG Gumcrete to paste on the edge of SCG Smartboard 16, 18 mm. thick.

6 Fix next piece of SCG Smartboard together without space lining.

7 Shape the SCG Gumcrete that excesses properly and fixed SCG Smartboard by self drilling screw 45 mm. SCG Smartboard shall be installed alternately in order to stagger the joint.

8 Cover the screw head by SCG Gumcrete.

9 Install next SCG Smartboard by following the above method until complete, and clean all surface to be out of dust and oil stain by moist cloth.

- Install the surface cover material such as ceramic tile, laminate, parquet, etc. (as indicated in method).
- In case that the surface cover material is not installed, clean the floor and coat by the prime coat for original cement prior coating with Epoxy twice (as suggested by maker) in order to prevent the surface from scratching.

SCG Smartboard Superior Performance with **FIRM** & **FLEX** Technology



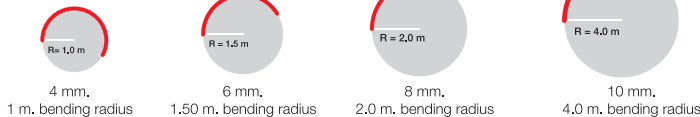
The State-of-the-art composition of SCG Portland Cement, Silica and Special cellulose undergo Autoclave process, giving the board its unparalleled strength and durability coupled with elasticity.

Superior Performance of SCG Smartboard

Attributes	SCG Smartboard	Gypsum	Woodchip Cement Board	Plywood
Water Resistant	★★★	★	★★	★★
Durable and High Impa Strengthct	★★★	★	★★	★★
No Shrinkage	★★★	★★★	★★	★
Termite Free	★★★	★	★★★	★
Fire Resistant	★★★	★★	★★★	★
Easily Cut and Nailed	★★	★★★	★★	★★

★★★ Excellent ★★ Good ★ Poor

Flexibility for various designs



Specification and Standard

Attributes	Test value	Standard
Water expansion rate (24 hrs. soak)	0.12%	JIS A 5420
Density	1,260 Kg./M ³	ASTM C 1185
Resistant to leakage (24 hrs. water contain)	Pass	TIS 1427-2540
Water absorption rate	34%	-
Tension force perpendicular to the surface	1.0 MPa	JIS A 5905
Modulus of Rapture (Wet Test)	10 N/Sq.mm.	ASTM C 1185
Heat Conductivity rate (K)	0.084 W / M ² c	ASTM C 117
1 Sound Resistant (STC)	38 dB	BS 2750
Non Flamable, Non combustible	Pass	BS 476 Part 5, 6 and 7
2 System flame resistant	1 and 2 hrs.	BS 476 Part 20-22
Drying Shrinkage rate (60°C, 24 hrs.)	0.04%	-
pH Value	7	-
Bending Radius (4, 6, 8, 10 mm.)	1, 1.5, 2.0, 4.0 M.	-
Heat / Rain	Pass	AS/NZS 2908.2 : 2000
Soak Dry	Pass	AS/NZS 2908.2 : 2000
Freeze / Thaw	Pass	ASTM C 1185

Remark : 1. When installing 8 mm. SCG Smartboard with light-weight-wall galvanized studs with no sound insulation

2. When installed with HI TEMP 3850 / Rockwool fire-insulation

Choosing SCG Smartboard to match your application

	Series	Thickness (mm.)	Width x Length (mm.)	Installation system	Weight (kg./pc.)	Effective Area (sq.m./pc.)
Internal and External Wall	2-side Tapered Edge 8, 12 mm, thick	8	1200 x 2800 ^①	Concealed	40,2	3,36
		12	1220 x 2440 (4'x8')		53,6	2,97
	Squared Edge 8, 9, 10, 12 mm, thick	8	1200 x 2400 1200 x 2800 1220 x 2440 (4'x8')	Space lining	34,8 40,6 36,0	2,88 3,36 2,97
		9	1200 x 2400 1220 x 2440 (4'x8')		39,2 40,4	2,88 2,97
		10	1200 x 2400 1220 x 2440 (4'x8')		43,5 44,9	2,88 2,97
4-inch Square Lining 8 mm, thick	8	1200 x 2800	Space lining	40,0	3,36	
				6-inch Square Lining (Golden Teak Color) 8 mm, thick	8	600 x 3000
Underlay	Squared Edge 8, 9, 10, 12 mm, thick	8	1200 x 2400 1200 x 2800 1220 x 2440 (4'x8')	Space lining No space lining		
		9	1200 x 2400 1220 x 2440 (4'x8')		39,2 40,4	2,88 2,97
		10	1200 x 2400 1220 x 2440 (4'x8')		43,5 44,9	2,88 2,97
	Squared Edge 16, 18 mm, thick	12	1200 x 2400 1220 x 2440 (4'x8')	52,2 53,9	2,88 2,97	
		16	1200 x 2400 1200 x 3000 1220 x 2440 (4'x8')	No space lining	69,6 87,0	2,88 3,30
18	1200 x 2400 1220 x 2440 (4'x8')				72,0 78,3 81,0	2,97 2,88 2,97

① Use interior only

Installing SCG Smartboard Ceiling and Wall

Product	Thickness (mm.)	Jointing Accessory	Frame	Fixing Accessory
Internal Wall • Squared Edge • 4-inch Square Lining • 6-inch Square Lining Wood Grain with Golden Teak Color	8-12 8 8	SCG Smartboard Polyurethane joint sealant	Fix with 0,55 mm, thick SCG Smartboard C 74, U 76 Galvanize Frame without pre-drilling with the maximum stud span of 60 cm.	SCG Needle Point Screw 23 mm, (Counter sunk head)
Internal Wall • Tapered Edge	8	SCG Smartboard Plaster Joint Compound		
External Wall • Squared Edge • 6-inch Square Lining Wood Grain with Golden Teak Color	8-16 8	SCG Smartboard Polyurethane joint sealant	Fix with 1,2 - 3,2 mm. steel studs (C 75) without pre-drilling with the maximum stud span of 60 cm.	SCG Self Drilling Wing Screw 32 mm, (Counter sunk head) Self Drilling Screw 45 mm, (Counter sunk head)
Floor • Squared Edge				

⚠ Cautions

- Recommended for ceiling, wall, floor, backer and underlay board only. Do not use as anybuilding's structure or other purposes. The installation shall follow the Installation Manual and use only the standard equipment.
- Eating, intaking and inhaling of the dust that results from drilling, grinding, shearing, washing the materials are prohibited.

⚠ Concerned Points

- The Products of SCG Smartboard are designed, while the operation methods are specified to suit with the working condition in Thailand only. Any application outside Thailand is considered to be direct responsibility of the designer, construction supervisor, and installer.
- Installation Manual of Products is always updated. The designer, construction supervisor, and installer shall verify that all methods being used are following the most update of Installation Manual of Products.

